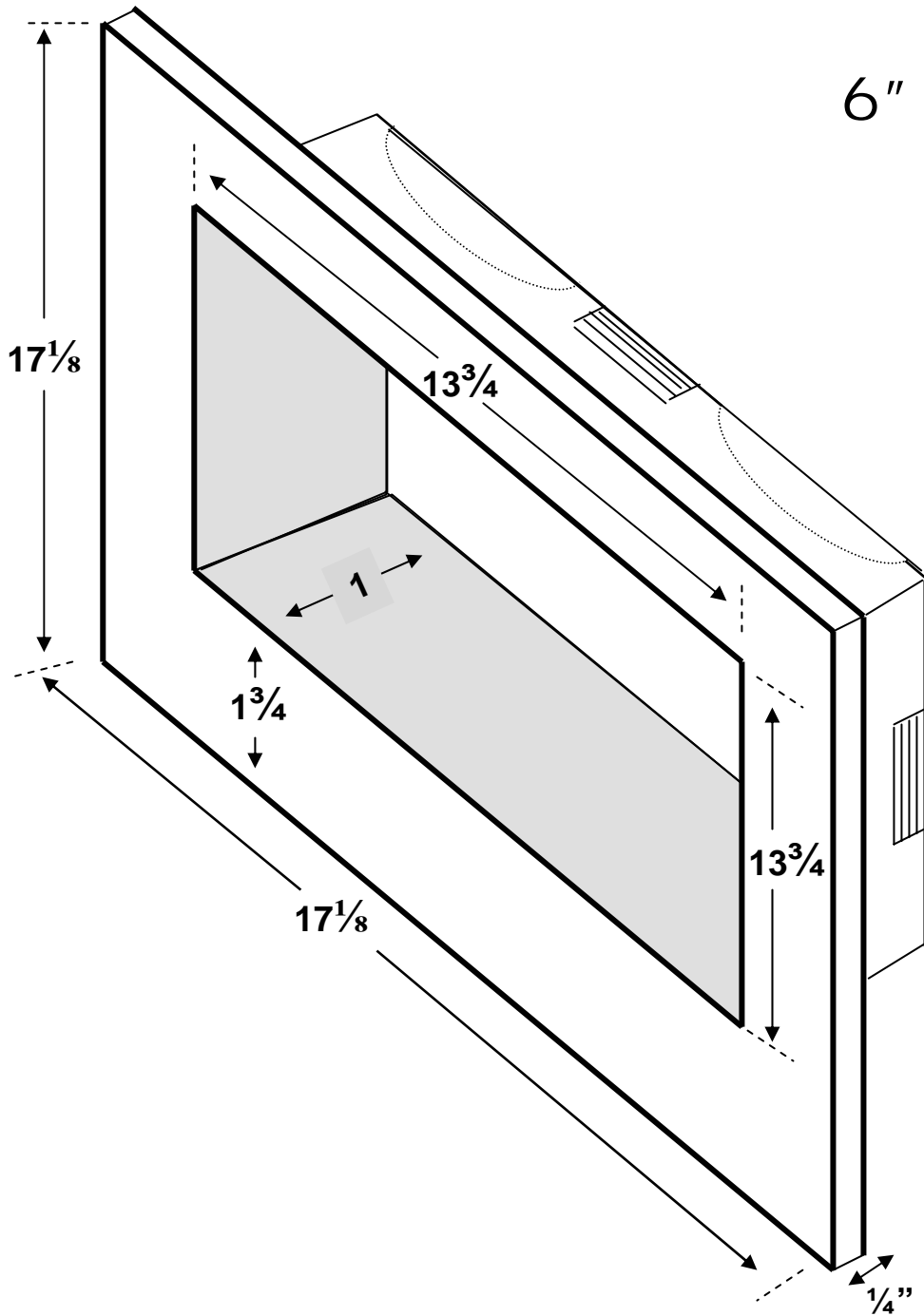
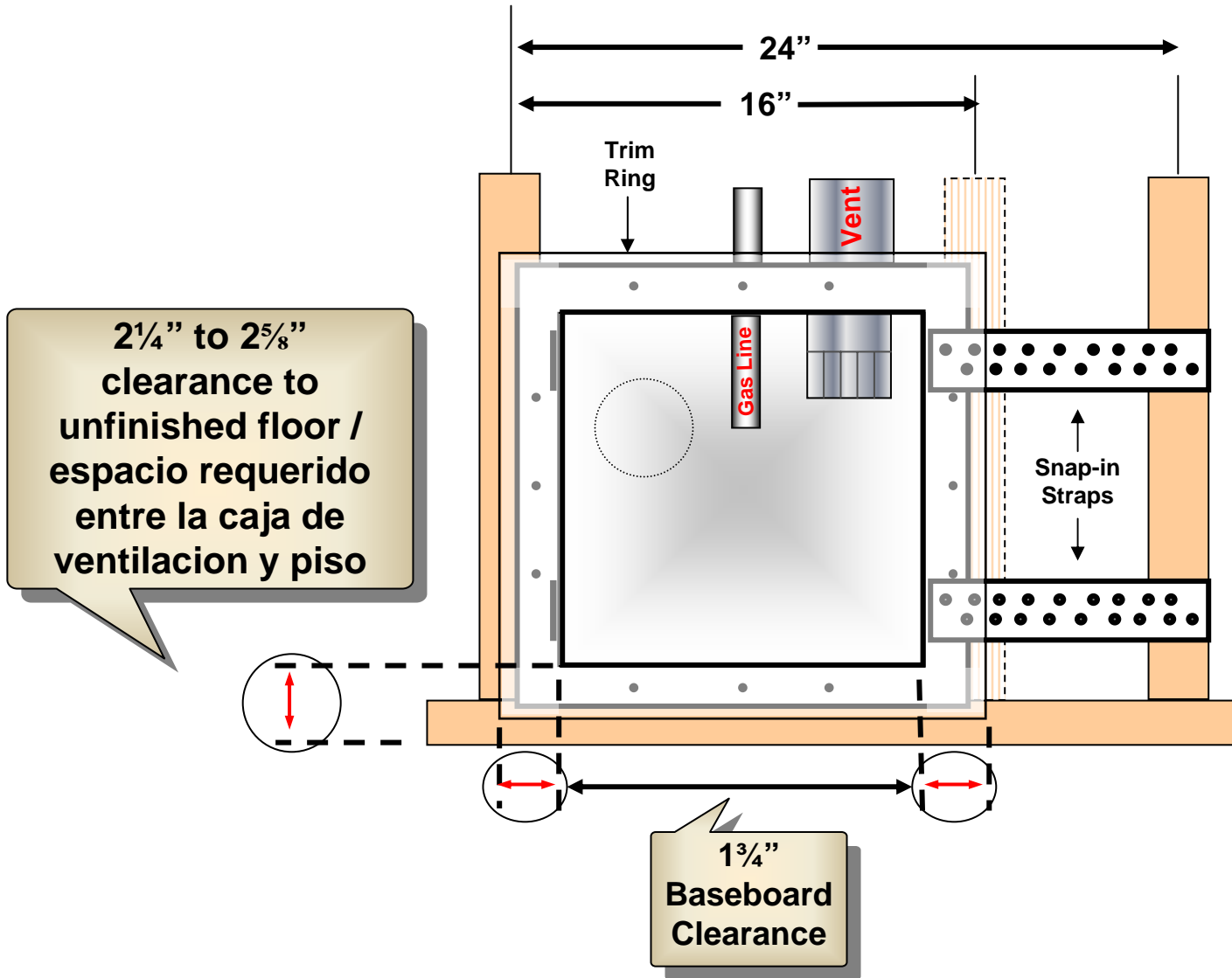


6" Inch Box Universal Trim Ring



Installation Detail



Specifications and Scope of Work

Builder Specification Wording for HVAC

“Recessed Dryer Vent Box with Snap on Trim Ring
Manufactured by Construction Solutions DBX1000”

Architectural Technical Specifications for DBX 5.01 (6” Construction)

Model Number DBX1000 Dryer Vent Box (6” Construction) by Construction Solutions

Made of High Impact Polystyrene which Meets UL Standards for 94HB Flammability Testing and is recognized by Underwriters Laboratories Inc. Representative samples of this component have been evaluated by UL and meet applicable UL requirements. Provide a 16” or 24” on center stud bay with 2 X 6 or 2 X 4 wall structure.